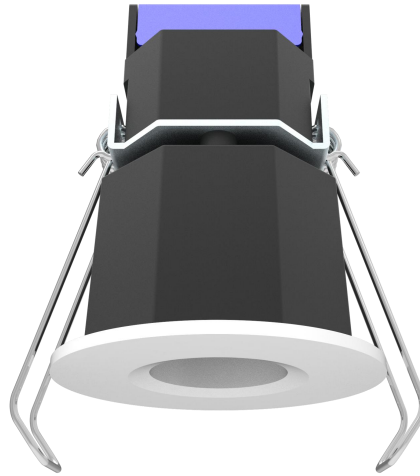


BL1-001 LED DOWNLIGHT

| | | | |
|-----------|--|-------------|------------|
| Catalog # | | Prepared by | LiteHarbor |
| Project | | Date | |
| Notes | | | |



LED DOWNLIGHT

1 Inch Light Emitting Surface Round Shape Miniature LED Recessed Downlight

Features

- The simplified retrofit installation can be used in both new and existing spaces.
- IC Airtight for use with direct contact to insulation.
- Beam Angle: 30/60/90 Degrees.
- Life Rated for 50,000 hours at 70% lumen maintenance.
- Easy installation for new construction and remodel applications.

Specification

- Source: LED COB Chips.
- Lumen maintenance: 50,000 hours L70 based on LM80 standardized test results.
- Optics: PC Lens for even lumen distribution.
- Material: Die-cast aluminum construction for lasting quality.
- Mounting: New construction installation or remodel installation
- Electrical: High efficiency electronic driver, rated at 50 000 hours
- Heat dissipation: Superior Thermal Management by utilizing aluminum body as heat sink.
- Warranty: 3 year limited warranty.



Liteharbor Lighting Technology Co., Ltd.
New Industry Area Hecun Danzao Town
Nanhai Foshan City Guangdong China

TEL: +86-757-8180 8687
FAX: +86-757-8180 8685
E-mail: info@liteharbor.com

Website: www.liteharbor.com
Specifications subject to change w/o notice
Revision: Jul. 2019

Listing / Warranty

ETL listed to US and Canadian standards for damp location W/Feed through.

3 Year Limited Warranty.

Applications

Suitable for jewelry stores, boutiques, luxury goods stores, shopping malls and other places that require concentrated lighting and accent lighting.

Parameter

| | |
|--------------|-------------------|
| Voltage | AC/DC12V |
| Frequency | 60 Hz |
| Watt | 8W |
| Driver | Liteharbor |
| Dimmable | Non-dimming |
| Lumen | 800-1000lm |
| Light Source | COB |
| CRI | 90+ |
| Beam Angle | 30D/60D/90D |
| CCT | 2700K-5000K |
| Material | Aluminum |
| Finish | White/Black/Brown |

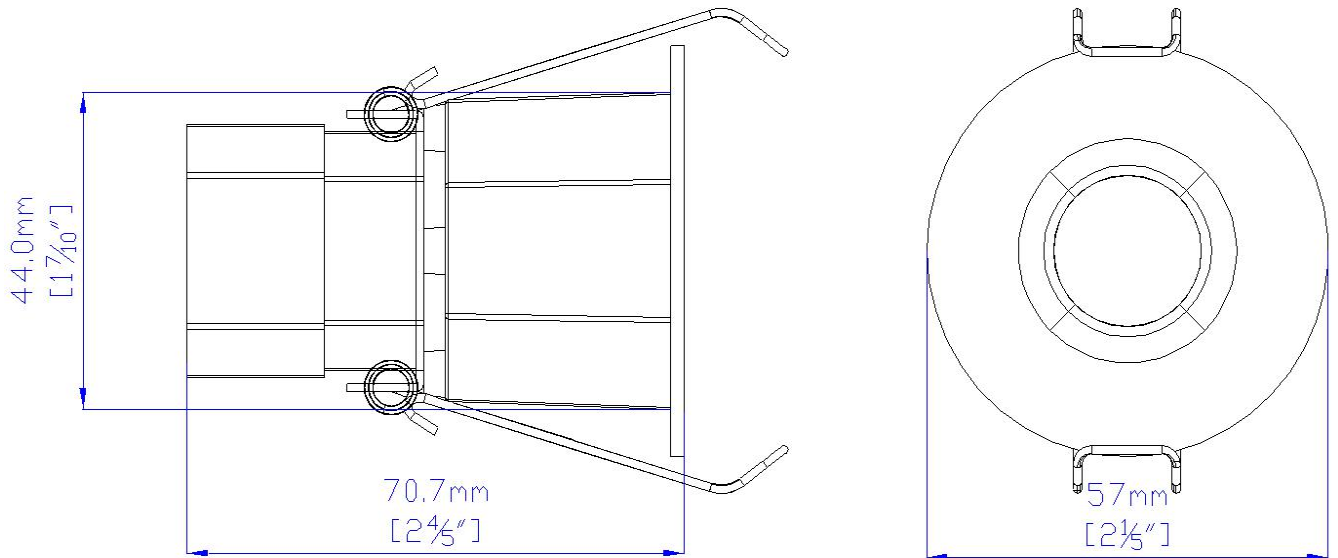


Liteharbor Lighting Technology Co., Ltd.
New Industry Area Hecun Danzao Town
Nanhai Foshan City Guangdong China

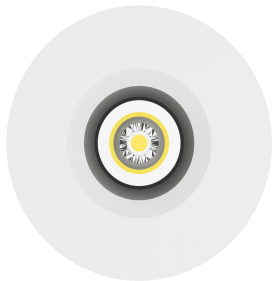
TEL: +86-757-8180 8687
FAX: +86-757-8180 8685
E-mail: info@liteharbor.com

Website: www.liteharbor.com
Specifications subject to change w/o notice
Revision: Jul. 2019

Dimensions



Cover Color Option



White



Black

LED DOWNLIGHT

Ordering Guide

| Series/Lumen | Input Voltage | CCT/CRI | Finish |
|----------------------------------|---------------------------------|------------------------------------|--------------------------------|
| <input type="checkbox"/> BL1-001 | <input type="checkbox"/> AC 12V | <input type="checkbox"/> 3000K/90+ | <input type="checkbox"/> White |
| LED Downlight | <input type="checkbox"/> DC 12V | <input type="checkbox"/> 4000K/90+ | <input type="checkbox"/> Black |
| | | <input type="checkbox"/> 5000K/90+ | <input type="checkbox"/> Brown |

*Other special requirements please confirm with our factory



Liteharbor Lighting Technology Co., Ltd.
 New Industry Area Hecun Danzao Town
 Nanhai Foshan City Guangdong China

TEL: +86-757-8180 8687
 FAX: +86-757-8180 8685
 E-mail: info@liteharbor.com

Website: www.liteharbor.com
 Specifications subject to change w/o notice
 Revision: Jul. 2019

Structure Elucidation

