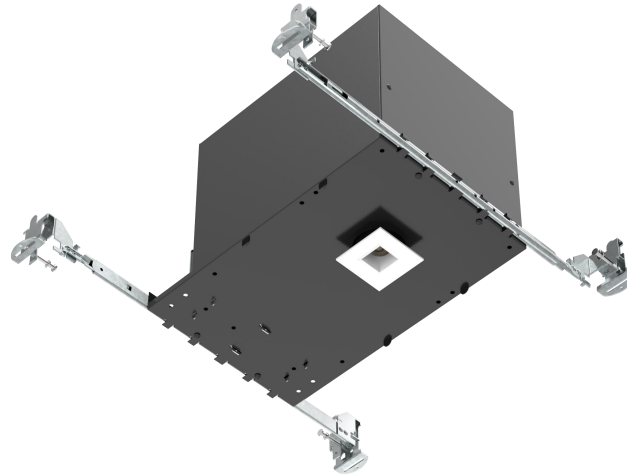


BL2-S001-IA LED DOWNLIGHT

Catalog #		Prepared by	LiteHarbor
Project		Date	
Notes			



Square Shape IC Airtight New Construction Miniature LED Recessed Downlight

Features

- The simplified retrofit installation can be used in both new and existing spaces.
- IC Airtight for use with direct contact to insulation.
- 2 inch light-emitting surface.
- Beam Angle: 30/60/90 Degrees.
- Life Rated for 50,000 hours at 70% lumen maintenance.
- Easy installation for new construction and remodel applications.

Construction

- Double wall IC rated for direct contact with insulation. For use in IC and non-IC conditions.
- Housing adjusts in frame to accommodate up to 1/2" ceiling thickness.
- Airtight housing with gasket to restrict airflow in accordance with ASTM E-283 air-tight requirements.

Installation

- Designed for ceiling plenums where 2x8 joists or taller are used.
- High strength hanger bars can easily be nailed to joists.
- Suitable for T-grid and drop ceiling applications.



Liteharbor Lighting Technology Co., Ltd.
New Industry Area Hecun Danzao Town
Nanhai Foshan City Guangdong China

TEL: +86-757-8180 8687
FAX: +86-757-8180 8685
E-mail: info@liteharbor.com

Website: www.liteharbor.com
Specifications subject to change w/o notice
Revision: Aug. 2019

Specification

- Source: LED COB Chips.
- Lumen maintenance: 50,000 hours L70 based on LM80 standardized test results.
- Optics: PC Lens for even lumen distribution.
- Material: Die-cast aluminum construction for lasting quality.
- Mounting: New construction installation or remodel installation
- Electrical: High efficiency electronic driver, rated at 50 000 hours
- Heat dissipation: Superior Thermal Management by utilizing aluminum body as heat sink.
- Warranty: 3 year limited warranty.

Electrical

- High Efficiency driver with a power factor > 0.9.

Parameter

Voltage	AC/DC 12V
Frequency	60 Hz
Watt	8W
Driver	Liteharbor
Dimmable	Non-dimming
Lumen	800-1000lm
Light Source	COB
CRI	90+
Beam Angle	30D/60D/90D
CCT	2700K-5000K
Material	Aluminum

Listing / Warranty

ETL listed to US and Canadian standards for damp location W/Feed through.

3 Year Limited Warranty.

Applications

Suitable for jewelry stores, boutiques, luxury goods stores, shopping malls and other places that require concentrated lighting and accent lighting.



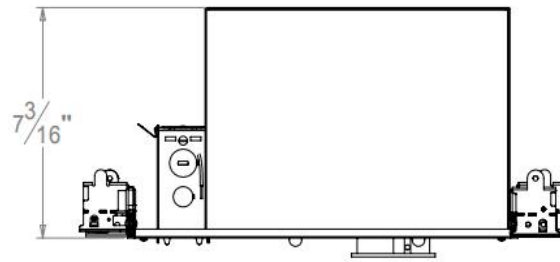
Liteharbor Lighting Technology Co., Ltd.
New Industry Area Hecun Danzao Town
Nanhai Foshan City Guangdong China

TEL: +86-757-8180 8687
FAX: +86-757-8180 8685
E-mail: info@liteharbor.com

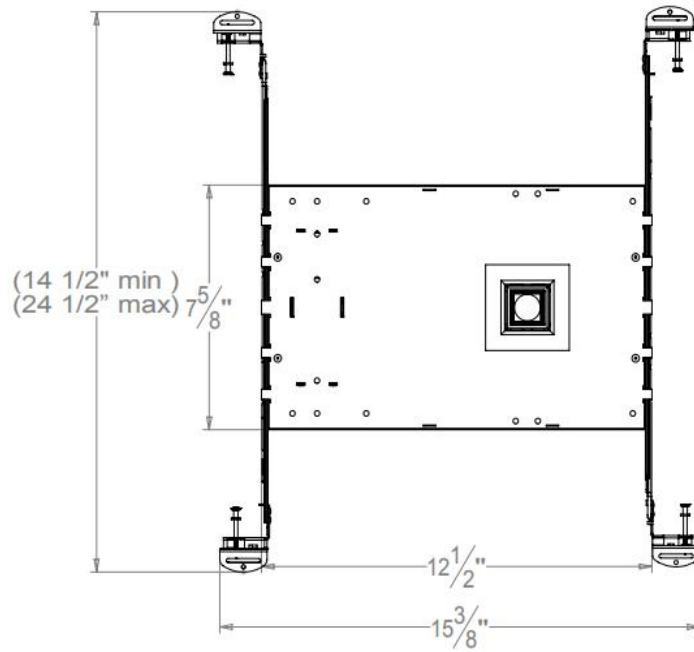
Website: www.liteharbor.com
Specifications subject to change w/o notice
Revision: Aug. 2019



Dimensions

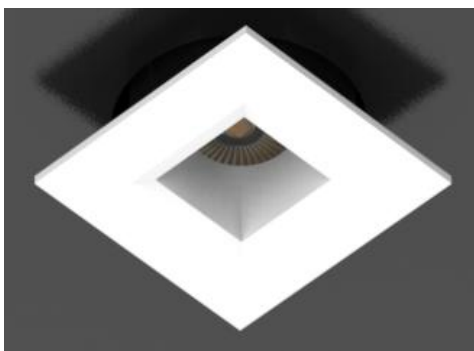


Cut-out Size: $\phi 2.5$ "



LED DOWNLIGHT

Trim Options



Option ①: Smooth Trim

Option ②: Baffle Trim



Liteharbor Lighting Technology Co., Ltd.
New Industry Area Hecun Danzao Town
Nanhai Foshan City Guangdong China

TEL: +86-757-8180 8687
FAX: +86-757-8180 8685
E-mail: info@liteharbor.com

Website: www.liteharbor.com
Specifications subject to change w/o notice
Revision: Aug. 2019

Ordering Guide

Series	Input Voltage	CCT/CRI	Beam Angle
<input type="checkbox"/> BL2-S001-IA	<input type="checkbox"/> AC 12V	<input type="checkbox"/> 3000K/90+	<input type="checkbox"/> 30 °
IC Airtight	<input type="checkbox"/> DC 12V	<input type="checkbox"/> 4000K/90+	<input type="checkbox"/> 60°
LED Downlight		<input type="checkbox"/> 5000K/90+	<input type="checkbox"/> 90°

Trim

- Smooth Trim
- Baffle Trim

*Other special requirements please confirm with our factory



Liteharbor Lighting Technology Co., Ltd.
New Industry Area Hecun Danzao Town
Nanhai Foshan City Guangdong China

TEL: +86-757-8180 8687
FAX: +86-757-8180 8685
E-mail: info@liteharbor.com

Website: www.liteharbor.com
Specifications subject to change w/o notice
Revision: Aug. 2019