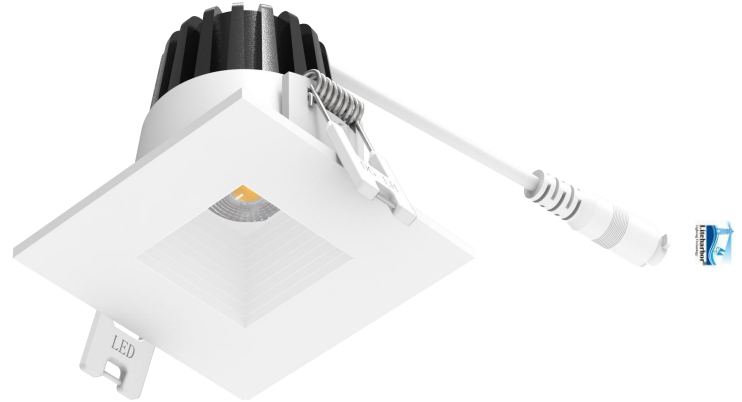


LED DOWNLIGHT SERIES

Catalog #		Prepared by	LiteHarbor
Project		Date	
Notes			



Round



Square

2" LED Downlight Series

Construction

- Cast aluminum trim routes heat away from electrical components
- 2" LED housing required for use of 2" LED Downlight Series

Optical System

- Optical lens diffusers eliminate "hot spots" , uniform light
- Beam spread options available: Standard Flood, Narrow Flood

Electrical

- Utilizes high performing LEDs with greater than 90 CRI and an R9 greater than 50
- Dimmable to 10% with most standard triac dimmers
- Operating temperature rating of 0°F to 120°F (-18°C to 49°C)
- Lifetime rated for greater than 35,000 hours
- LM-79, LM-80 testing performed in accordance with IESNA standards
- 120V input to driver

LED DOWNLIGHT



Liteharbor Lighting Technology Co., Ltd.
 New Industry Area Hecun Danzao Town
 Nanhai Foshan City Guangdong China

TEL: +86-757-8180 8687
 FAX: +86-757-8180 8685
 E-mail: info@liteharbor.com

Website: www.liteharbor.com
 Specifications subject to change w/o notice
 Revision: Aug. 2019

Finish

- Exterior white powder coat finish
- Also available in Black, Oil-Rubbed Bronze and Nickel

Installation

- 2" recessed housings required: Available in remodel, new construction, and IC/ Airtight new
- Quick and easy installation with a snap-in IDEAL connector and friction clip mounting system

Listing / Warranty

- ETL listed to US and Canadian standards for damp location W/Feed through.
- 5 Year Limited Warranty.

Applications

- Apply to automotive and parking, education, government, healthcare, hospitality, offices and banks, religious, retail.

Parameter

Input Voltage	120V
Power	8W
Lumen	600lm
System Efficacy	75Lm/W
CCT	3000K, 4000K, 5000K
CRI	80CRI

Ordering Guide

Series/Shape	Lumen	Voltage	CCT	Finish
<input type="checkbox"/> BL2-R/Round Shape	<input type="checkbox"/> 600lm	<input type="checkbox"/> AC 120V	<input type="checkbox"/> 3000K	<input type="checkbox"/> White
<input type="checkbox"/> BL2-S/Square Shape			<input type="checkbox"/> 4000K	<input type="checkbox"/> Nickel
2" LED Downlight			<input type="checkbox"/> 5000K	<input type="checkbox"/> Black
				<input type="checkbox"/> Oil Rubbed Bronze

Optical

- 24°
- 36°

*Other Special Requirements Please Contact with Our Factory



Liteharbor Lighting Technology Co., Ltd.
New Industry Area Hecun Danzao Town
Nanhai Foshan City Guangdong China

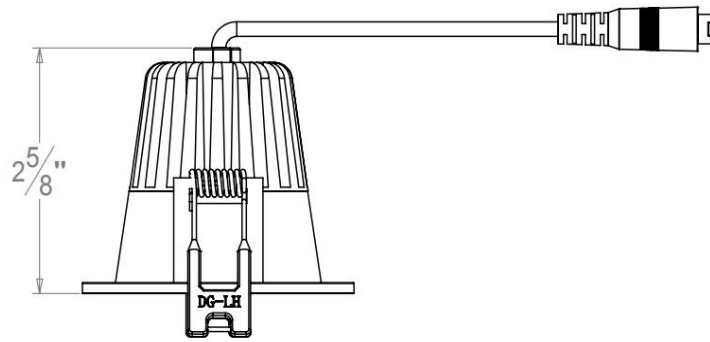
TEL: +86-757-8180 8687
FAX: +86-757-8180 8685
E-mail: info@liteharbor.com

Website: www.liteharbor.com
Specifications subject to change w/o notice
Revision: Aug. 2019

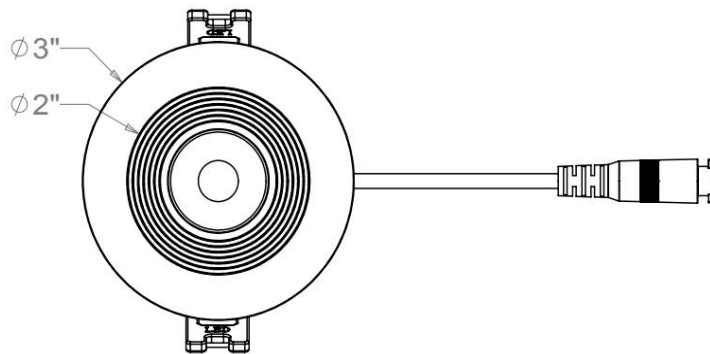


Dimensions

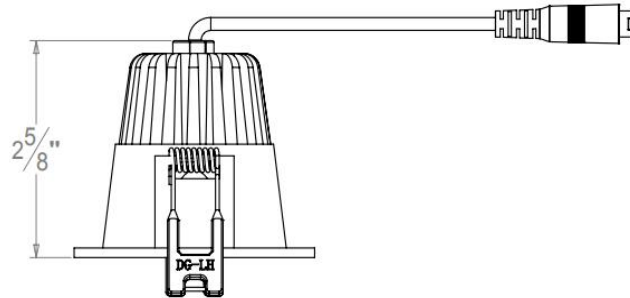
Round



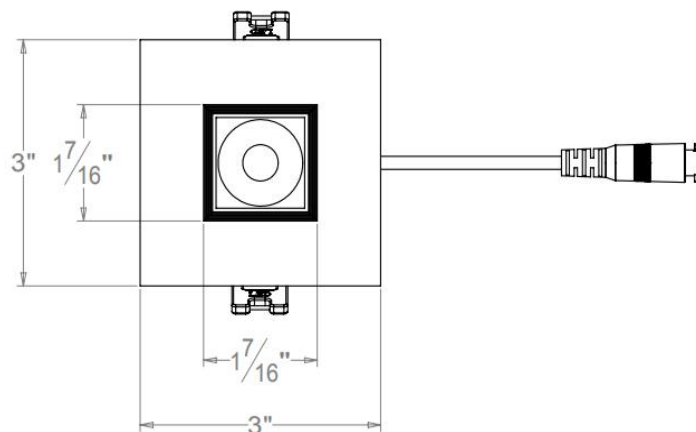
Cut-out Size: $\phi 2\frac{1}{2}$ "



Square



Cut-out Size: $\phi 2\frac{1}{2}$ "



Liteharbor Lighting Technology Co., Ltd.
New Industry Area Hecun Danzao Town
Nanhai Foshan City Guangdong China

TEL: +86-757-8180 8687
FAX: +86-757-8180 8685
E-mail: info@liteharbor.com

Website: www.liteharbor.com
Specifications subject to change w/o notice
Revision: Aug. 2019