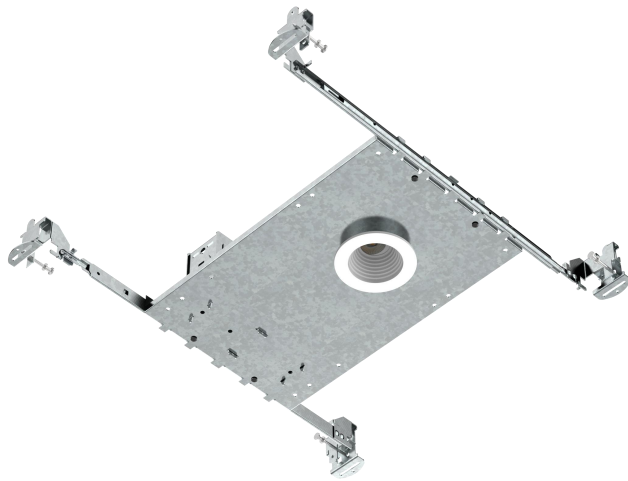
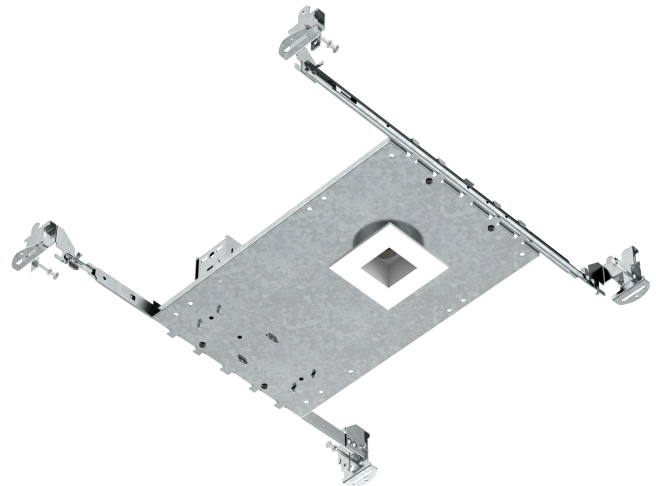


# LED DOWNLIGHT SERIES

<b>Catalog #</b>		<b>Prepared by</b>	LiteHarbor
<b>Project</b>		<b>Date</b>	
<b>Notes</b>			



Round



Square



LED DOWNLIGHT

## 2" New Construction LED Downlight Series

### Construction

- Cast aluminum trim routes heat away from electrical components
- 2" LED housing required for use of 2" LED Downlight Series

### Optical System

- Optical lens diffusers eliminate "hot spots" , uniform light
- Beam spread options available: Standard Flood, Narrow Flood

### Electrical

- Utilizes high performing LEDs with greater than 90 CRI and an R9 greater than 50
- Dimmable to 10% with most standard triac dimmers
- Operating temperature range of 0°F to 120°F (-18°C to 49°C)
- Lifetime rated for greater than 35,000 hours
- LM-79, LM-80 testing performed in accordance with IESNA standards
- 120V input to driver



**Liteharbor Lighting Technology Co., Ltd.**  
 New Industry Area Hecun Danzao Town  
 Nanhai Foshan City Guangdong China

TEL: +86-757-8180 8687  
 FAX: +86-757-8180 8685  
 E-mail: info@liteharbor.com

Website: www.liteharbor.com  
 Specifications subject to change w/o notice  
 Revision: Aug. 2019

## Finish

- Exterior white powder coat finish
- Also available in Black, Oil-Rubbed Bronze and Nickel

## Installation

- 2" recessed housings required: Available in remodel, new construction, and IC/ Airtight new
- Quick and easy installation with a snap-in IDEAL connector and friction clip mounting system

## Listing / Warranty

- ETL listed to US and Canadian standards for damp location W/Feed through.
- 5 Year Limited Warranty.

## Applications

- Apply to automotive and parking, education, government, healthcare, hospitality, offices and banks, religious, retail.

## Parameter

Input Voltage	120V
Power	8W
Lumen	600lm
System Efficacy	75Lm/W
CCT	3000K, 4000K, 5000K
CRI	80CRI

## Ordering Guide

Series/Shape	Lumen	Voltage	CCT	Finish
<input type="checkbox"/> BL2-R-NC/Round Shape	<input type="checkbox"/> 600lm	<input type="checkbox"/> AC 120V	<input type="checkbox"/> 3000K	<input type="checkbox"/> White
<input type="checkbox"/> BL2-S-NC/Square Shape			<input type="checkbox"/> 4000K	<input type="checkbox"/> Nickel
2" LED Downlight			<input type="checkbox"/> 5000K	<input type="checkbox"/> Black
				<input type="checkbox"/> Oil Rubbed Bronze

### Optical

- 24°
- 36°

\*Other Special Requirements Please Contact with Our Factory



**Liteharbor Lighting Technology Co., Ltd.**  
New Industry Area Hecun Danzao Town  
Nanhai Foshan City Guangdong China

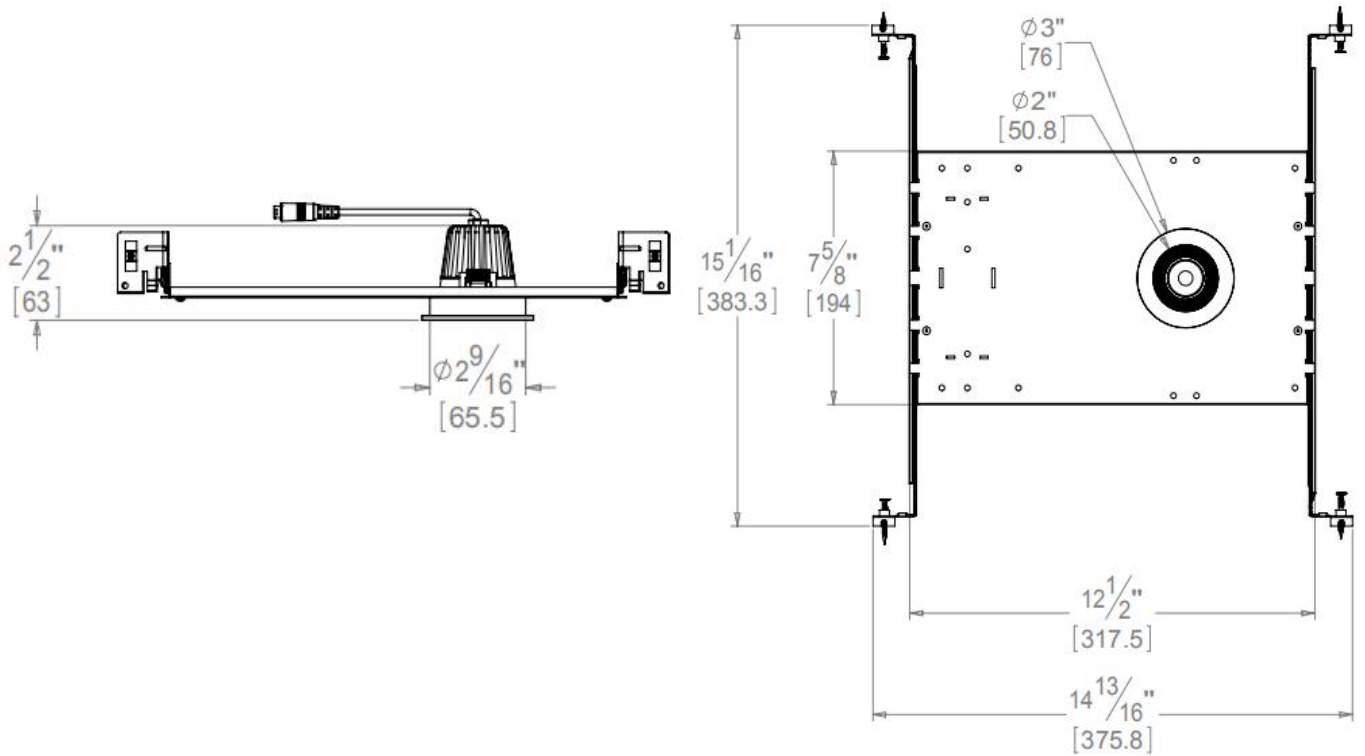
TEL: +86-757-8180 8687  
FAX: +86-757-8180 8685  
E-mail: info@liteharbor.com

Website: www.liteharbor.com  
Specifications subject to change w/o notice  
Revision: Aug. 2019

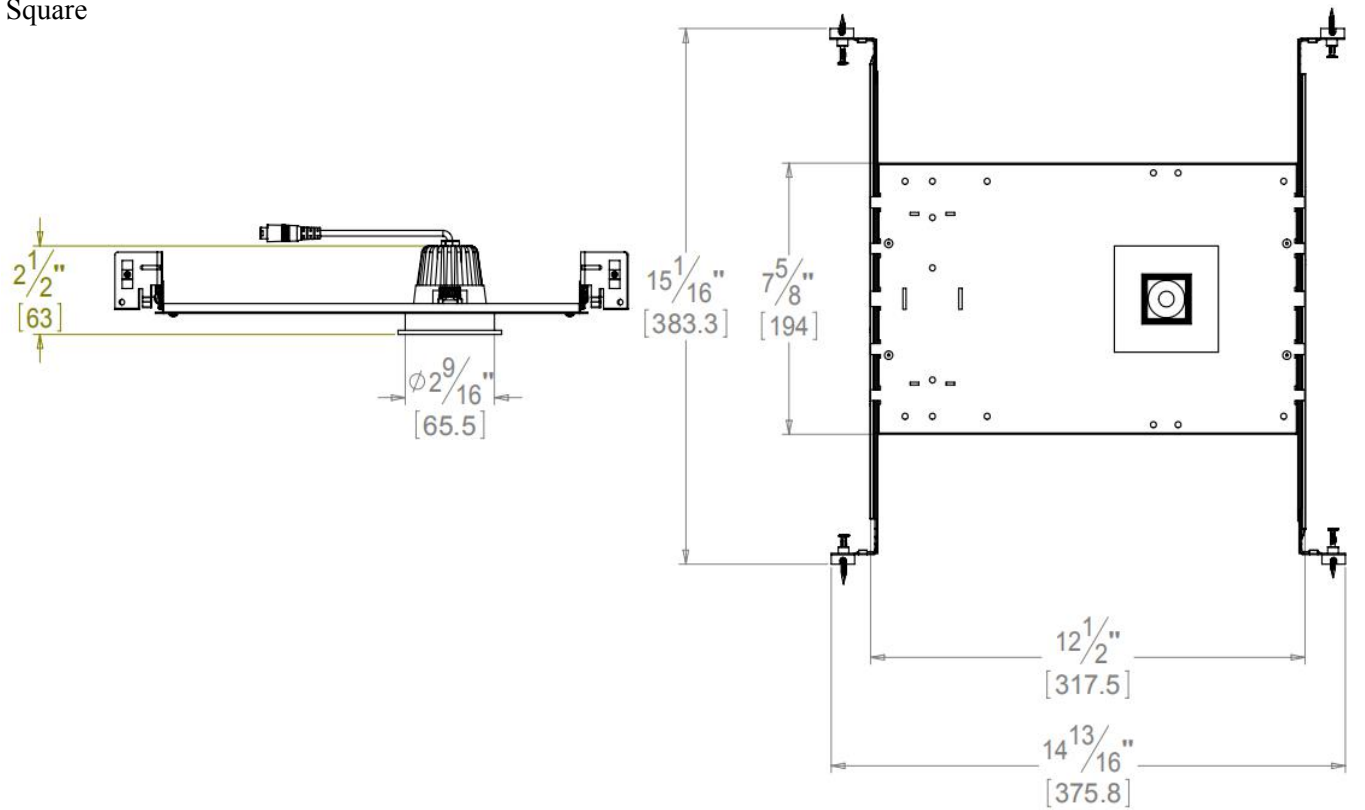


## Dimensions

Round



Square



LED DOWNLIGHT



**Liteharbor Lighting Technology Co., Ltd.**  
 New Industry Area Hecun Danzao Town  
 Nanhai Foshan City Guangdong China

TEL: +86-757-8180 8687  
 FAX: +86-757-8180 8685  
 E-mail: info@liteharbor.com

Website: www.liteharbor.com  
 Specifications subject to change w/o notice  
 Revision: Aug. 2019