

**BEL2012-A-01**  
**LED EYEBALL DOWNLIGHT**

<b>Catalog #</b>		<b>Prepared by</b>	LiteHarbor
<b>Project</b>		<b>Date</b>	
<b>Notes</b>			



**2 Inch Round Shape LED Eyeball Multiple Downlight with 2 Lamps**

**Description**

This is a 2" rotatable LED eyeball multiple downlight allow for you to set the ambiance in your space, a full range of repositioning to highlight your decoration, giving you everything needed to install this beautiful, ultra thin recessed lighting solution.

**Features**

- Swivel eyeball trim allows the flexibility focus light on a specific area and create the ambiance you desire.
- Protected LED driver performs at 120V/120~277V.
- This fixture is built to last with maintenance-free energy efficient LEDs.
- Available in 1, 2, 3, 4 lamps.
- Beam Angle: 30/60 Degree.
- Suitable for damp location.

**Applications**

Apply to automotive and parking, education, government, healthcare, hospitality, offices and banks, religious, retail.



LED MULTIPLE DOWNLIGHT



**Liteharbor Lighting Technology Co., Ltd.**  
 New Industry Area Hecun Danzao Town  
 Nanhai Foshan City Guangdong China

TEL: +86-757-8180 8687  
 FAX: +86-757-8180 8685  
 E-mail: info@liteharbor.com

Website: www.liteharbor.com  
 Specifications subject to change w/o notice  
 Revision: Aug. 2019

## Specification

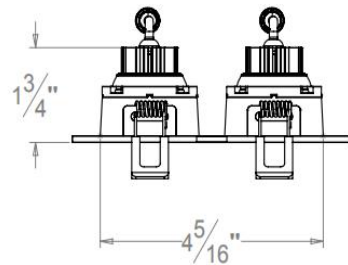
Watt	6W/lamp
Voltage	AC 120V/120~277V
Driver	Liteharbor
PF	>0.9
Dimming	Dimmable
Lumen	480lm/lamp
Light Source	COB
CRI	80+/90+
Beam Angle	30D/60D
CCT	2700K-5000K
Material	Aluminum
Finish	White/Black

## Listing / Warranty

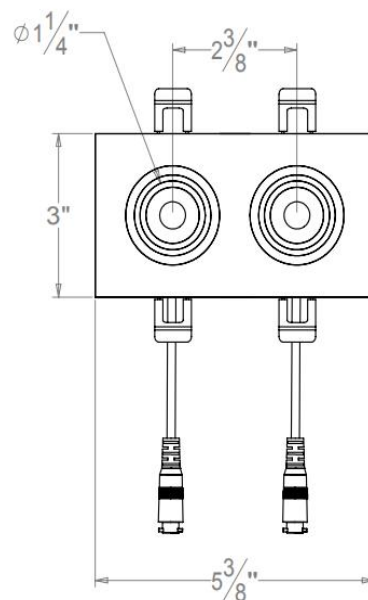
ETL listed to US and Canadian standards for damp location W/Feed through.

3 Year Limited Warranty.

## Dimensions



Cut-out Size:  $4\frac{5}{8}$ " X  $2\frac{3}{4}$ "



## Ordering Guide

<b>Series</b>	<b>Voltage</b>	<b>Watt</b>	<b>CCT</b>	<b>Finish</b>
<input type="checkbox"/> BEL2012-A-01 2" LED Eyeball Multiple Downlight	<input type="checkbox"/> 120V <input type="checkbox"/> 120~277V	<input type="checkbox"/> 6W/lamp	<input type="checkbox"/> 2700K <input type="checkbox"/> 3000K <input type="checkbox"/> 4000K <input type="checkbox"/> 5000K	<input type="checkbox"/> Black <input type="checkbox"/> White
<b>CRI</b>	<b>Beam Angle</b>			
<input type="checkbox"/> 80+ <input type="checkbox"/> 90+	<input type="checkbox"/> 30° <input type="checkbox"/> 60°			

