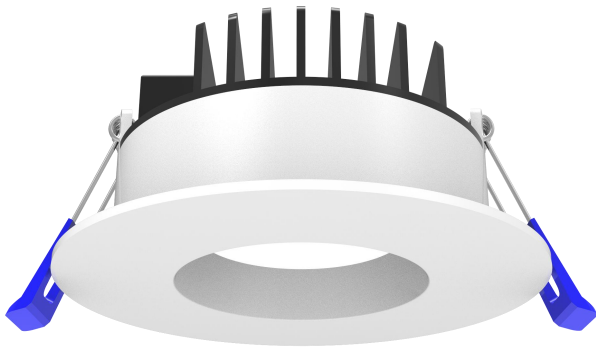
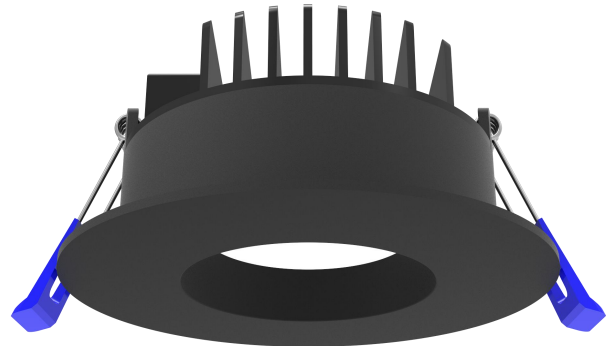


BL4-A-01 LED DOWNLIGHT

Catalog #		Prepared by	LiteHarbor
Project		Date	
Notes			



White



Black

4 Inch Round Shape LED Downlight

Description

This product is a high efficiency SMD LED downlight with selectable tri colour temperature and a powder coated white finish frame. It can be easily install in different types of ceiling without having to undergo messy and complicated routing and housing reconstruction while providing you with high quality lighting every time you need.

Features

- Full luminaire made of high quality die cast aluminium.
- Protected LED driver performs at 120V (120-277V available).
- This fixture is built to last with maintenance-free energy efficient LEDs.
- Beam Angle: 90 Degree.
- IP Rating: IP44.

Applications

Apply to residential, automotive, parking, education, government, healthcare, hospitality, offices and banks, religious, retail.



Liteharbor Lighting Technology Co., Ltd.
New Industry Area Hecun Danzao Town
Nanhai Foshan City Guangdong China

TEL: +86-757-8180 8687
FAX: +86-757-8180 8685
E-mail: info@liteharbor.com

Website: www.liteharbor.com
Specifications subject to change w/o notice
Revision: Jun. 2019

Specification

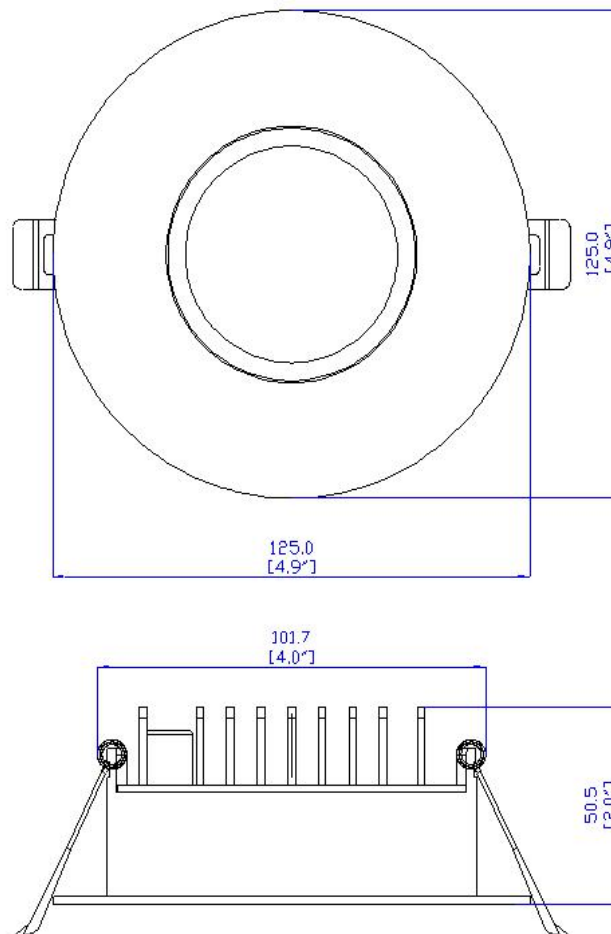
Watt	15W
Voltage	AC 120V/120-277V
Driver	Liteharbor
PF	>0.9
Lumen	1200lm
Light Source	SMD
CRI	90+
Beam Angle	90
CCT	2700K-5000K
Material	Aluminum
Finish	White/Black

Listing / Warranty

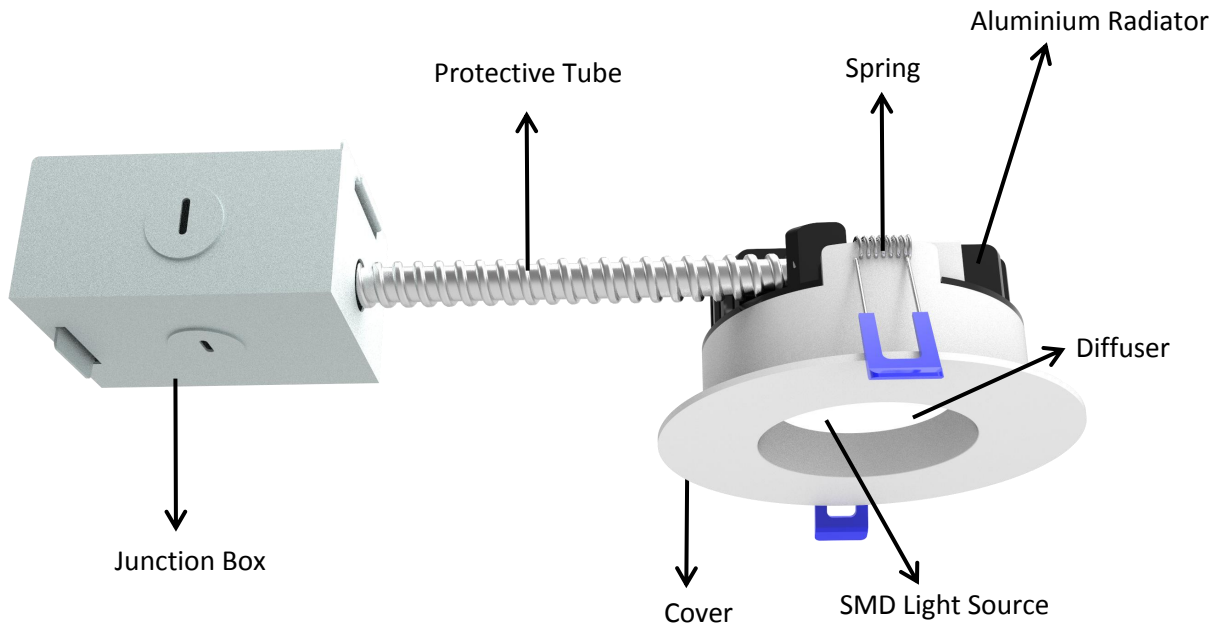
ETL listed to US and Canadian standards for damp location W/Feed through.

3 Year Limited Warranty.

Dimensions



Structural Introduction



Ordering Guide

Series	Input Voltage	Watt	CCT	Finish
<input type="checkbox"/> BL4-A-01	<input type="checkbox"/> 120V	<input type="checkbox"/> 15W	<input type="checkbox"/> 2700K	<input type="checkbox"/> Black
LED Downlight	<input type="checkbox"/> 120-277V		<input type="checkbox"/> 3000K	<input type="checkbox"/> White
			<input type="checkbox"/> 4000K	
			<input type="checkbox"/> 5000K	



Liteharbor Lighting Technology Co., Ltd.
New Industry Area Hecun Danzao Town
Nanhai Foshan City Guangdong China

TEL: +86-757-8180 8687
FAX: +86-757-8180 8685
E-mail: info@liteharbor.com

Website: www.liteharbor.com
Specifications subject to change w/o notice
Revision: Jun. 2019