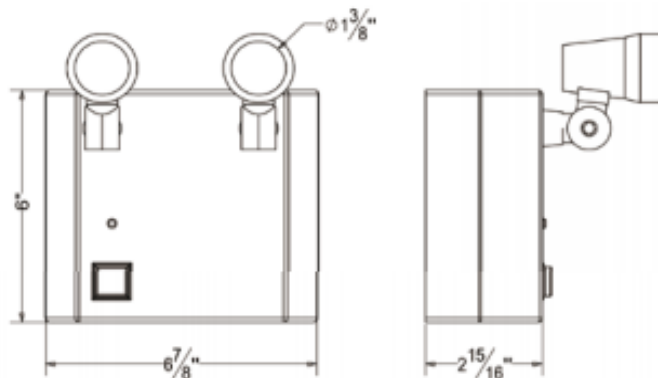


EMI202/EML2012 LED Exit & Emergency Light

Catalog #		Prepared by	LiteHarbor
Project		Date	
Notes			



Housing

Injection-molded thermoplastic ABS housing.
94V-0 flame rating.
Fully adjustable glare-free emergency light heads.

Electrical

120/277 VAC Dual voltage operation.
Low power consumption-3.8 watts at normal operation, 15 watts at emergency operation.
LED indicator light and push button test switch.
Remote capability- may power additional remote heads (up to 6V 12W) with additional battery.

Lamp

2×6V 5W DC T15 wedge base lamps for emergency mode.

Battery

Lead-Calcium Battery (6V 4.5Ah).
May use additional battery, when add remote light heads to the fixture. (Total 2pcs×6V 4.5 Ah battery)
Low voltage battery disconnection.

Mounting

Wall or Ceiling mounting.
Easily removed mounting knock-outs and J-box pattern on back plate.

Warranty

2 years limited warranty.



EXIT & EMERGENCY LIGHT



Liteharbor Lighting Technology Co., Ltd.
New Industry Area Hecun Danzao Town
Nanhai Foshan City Guangdong China

TEL: +86-757-8180 8687
FAX: +86-757-8180 8685
E-mail: sales@liteharbor.com

Website: www.liteharbor.com
Specifications subject to change w/o notice
Revision: Jan. 2013