

**K2203**  
**Line Volt. Canopy Mounted Mini**  
**Track Light**

|                  |  |                    |            |
|------------------|--|--------------------|------------|
| <b>Catalog #</b> |  | <b>Prepared by</b> | LiteHarbor |
| <b>Project</b>   |  | <b>Date</b>        |            |
| <b>Notes</b>     |  |                    |            |



TRACK LIGHTING

**Line Volt. Canopy Mounted Mini Track Light**

**Description**

Line voltage die-cast aluminum designer adjustable fixtures with GU10 light source.

Yoke provides full adjustment position of light source for special aiming and dual tightening knobs assure secure lock on angle position.

**Features**

- 1) Die-cast aluminum provides superior strength and rigidity.
- 2) Low profile, aesthetic design.
- 3) Adjustable yoke for custom aiming.
- 4) One or two circuit track capable.

A    B    C    D    E    F

**Item No.:K2203**

| A        | Series             |
|----------|--------------------|
| K2203-1C | 1-Lamp Track Light |
| K2203-2C | 2-Lamp Track Light |
| K2203-3C | 3-Lamp Track Light |
| K2203-4C | 4-Lamp Track Light |



**Liteharbor Lighting Technology Co., Ltd.**

New Industry Area Hecun Danzao Town  
 Nanhai Foshan City Guangdong China

TEL: +86-757-8180 8675

FAX: +86-757-8180 8685

E-mail: info@liteharbor.com

Website: www.liteharbor.com

Specifications subject to change w/o notice

Revision: Jan. 2015

### Housing

Iron / die-cast aluminum construction;  
adjustable appearance and design features  
All edges are softened for aesthetic appearance.

### Yoke

Iron yoke connects fixture housing to electrical contact head.  
Dual plastic angle tightening knobs maintain clean, decorative appearance of the fixture and provides secure angle position.

### Finishes

Black, White and Satin Nickel heat rated baked enamel paint.  
Custom painting or anodizing for special applications is also available.  
Custom finishes will require lead times that vary depending on vendor schedule. Please consult factory for quotation.

### Wiring

Teflon coated wire lead connects socket and housing to electrical contact head.  
Teflon coating is durable and resists heat degradation from lamp and housing radiation.

### Lamp

LED GU10 8W/Lamp Max.

### Listing

c-UL-us Listed

| B   | Wire   |
|-----|--------|
| 02W | 2-wire |
| 03W | 3-wire |
| 04W | 4-wire |

| C  | Finish       |
|----|--------------|
| BK | Black        |
| WH | White        |
| SN | Satin Nickel |

| D  | Mounting            |
|----|---------------------|
| TM | Track Rail Mounting |
| CM | Canopy Mounting     |
| PM | Pendant Mounting    |

| E   | Wattage     |
|-----|-------------|
| L08 | LED 8W/Lamp |

| F   | Color Temperature |
|-----|-------------------|
| 28K | 2800K             |
| 35K | 3500K             |
| 50K | 5000K             |



**Liteharbor Lighting Technology Co., Ltd.**

New Industry Area Hecun Danzao Town  
Nanhai Foshan City Guangdong China

TEL: +86-757-8180 8675

FAX: +86-757-8180 8685

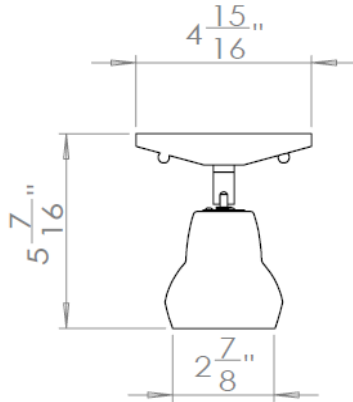
E-mail: info@liteharbor.com

Website: www.liteharbor.com

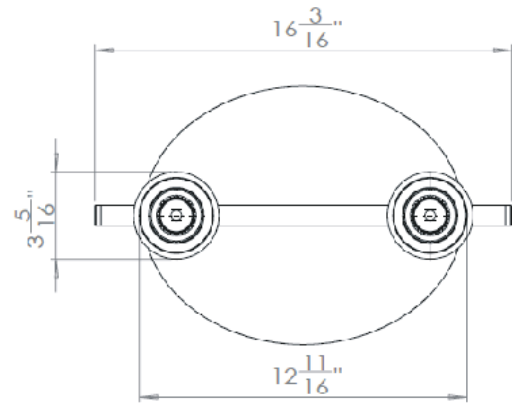
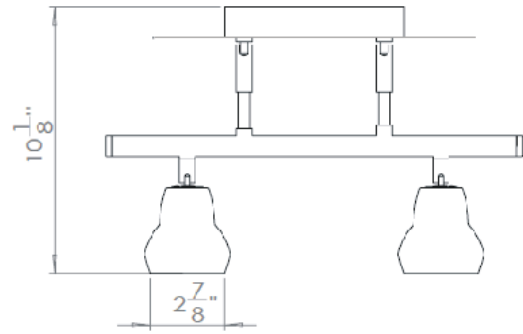
Specifications subject to change w/o notice

Revision: Jan. 2015

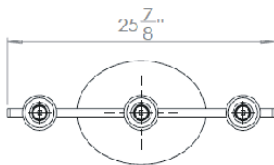
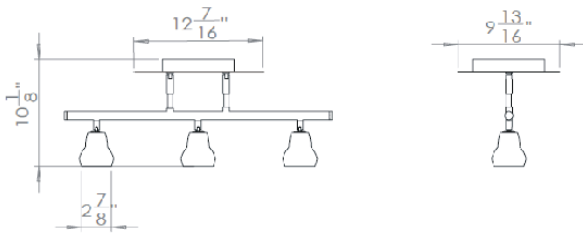
1-Lamp



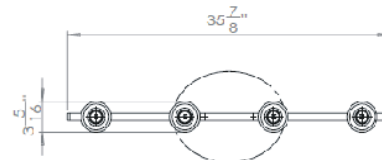
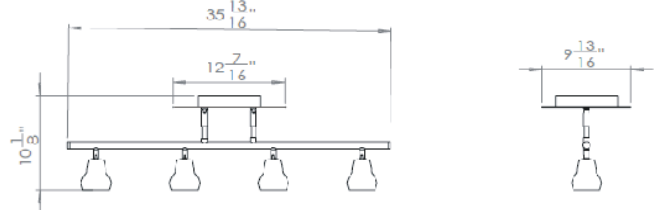
2-Lamp



3-Lamp



4-Lamp



TRACK LIGHTING



**Liteharbor Lighting Technology Co., Ltd.**  
 New Industry Area Hecun Danzao Town  
 Nanhai Foshan City Guangdong China

TEL: +86-757-8180 8675  
 FAX: +86-757-8180 8685  
 E-mail: info@liteharbor.com

Website: www.liteharbor.com  
 Specifications subject to change w/o notice  
 Revision: Jan. 2015

## OPTIONAL ACCESSORIES



**K500**  
Global Adaptor  
Finish: WH/BK



**K600**  
Single/Two Circuit Live End  
Finish: WH/BK



**K601**  
Single /Two Circuit End Feed  
Finish: WH/BK



**K602**  
Single/Two Circuit Flexible Connector  
Finish: WH/BK



**K604**  
T-bar Attachment Clips For T-bar Drop Ceiling  
Finish: WH/BK/SN



**K605**  
Single/Two Circuit Floating Canopy  
Finish: WH/BK



**K606**  
Single/Two Circuit Live End With Box Cover  
Finish: WH/BK



**K607**  
Track End Cap  
Finish: WH/BK



**K608**  
Mini Coupling  
Finish: WH/BK



**K609**  
Single/Two Circuit T-Connector  
Finish: WH/BK



**K610**  
Single Circuit 90° Connector  
Finish: WH/BK



**K611**  
Single/Two Circuit X-Connector  
Finish: WH/BK



**K612**  
Live End With Cord&Plug  
Finish: WH/BK  
Available in 2 wire,3 wire,4 wire



**K5-3**  
Single Circuit/Two Circuit Track  
Single circuit track is rated for 2400W  
features 12-gauge copper conductors and

a separate ground conductor.  
Two circuit track includes 12-gauge copper  
conductors and features a double load  
capacity at 4800W max.  
Single/Two Circuit Track is available in  
white,black,and satin nickel finishes,and  
in 4,6,and 8-foot sizes,and can also be  
field cut to your preference.

